



DOMESTIC WASTEWATER TREATMENT IN MALAYSIA

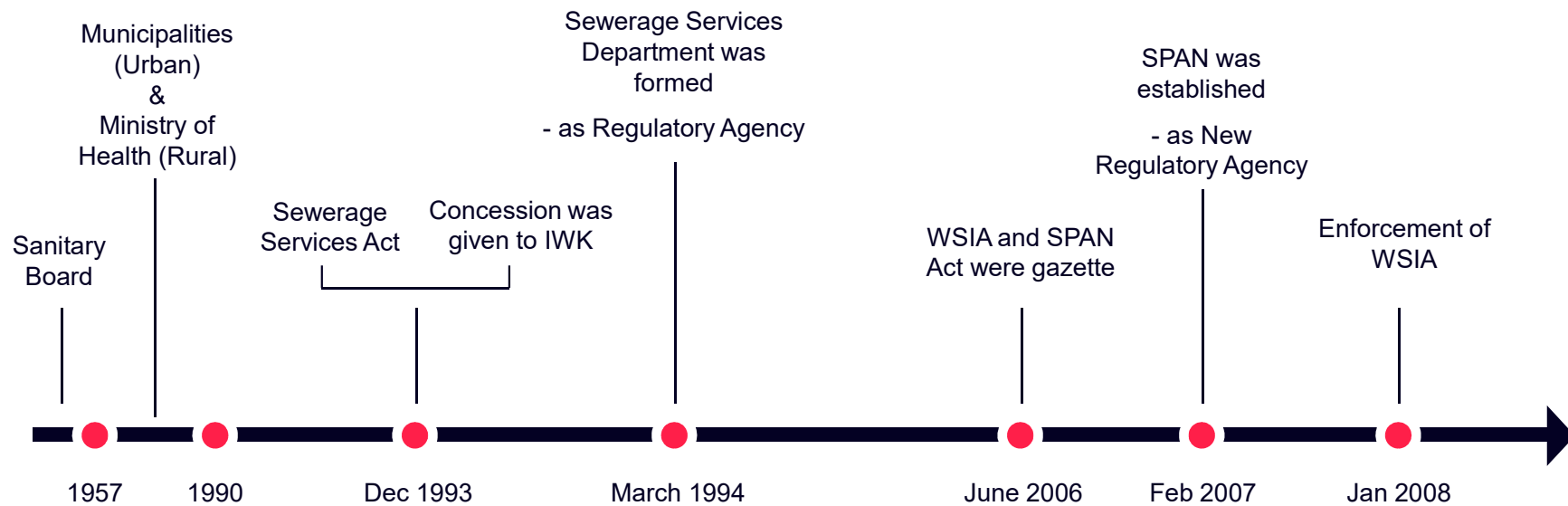
HAZIANA BINTI HISAMUDDIN
PRINCIPAL ASSISTANT SECRETARY
SEWERAGE SERVICES SECTION
WATER AND SEWERAGE SERVICES DIVISION
MINISTRY OF WATER, LAND AND NATURAL RESOURCES (KATS)
MALAYSIA

Outline

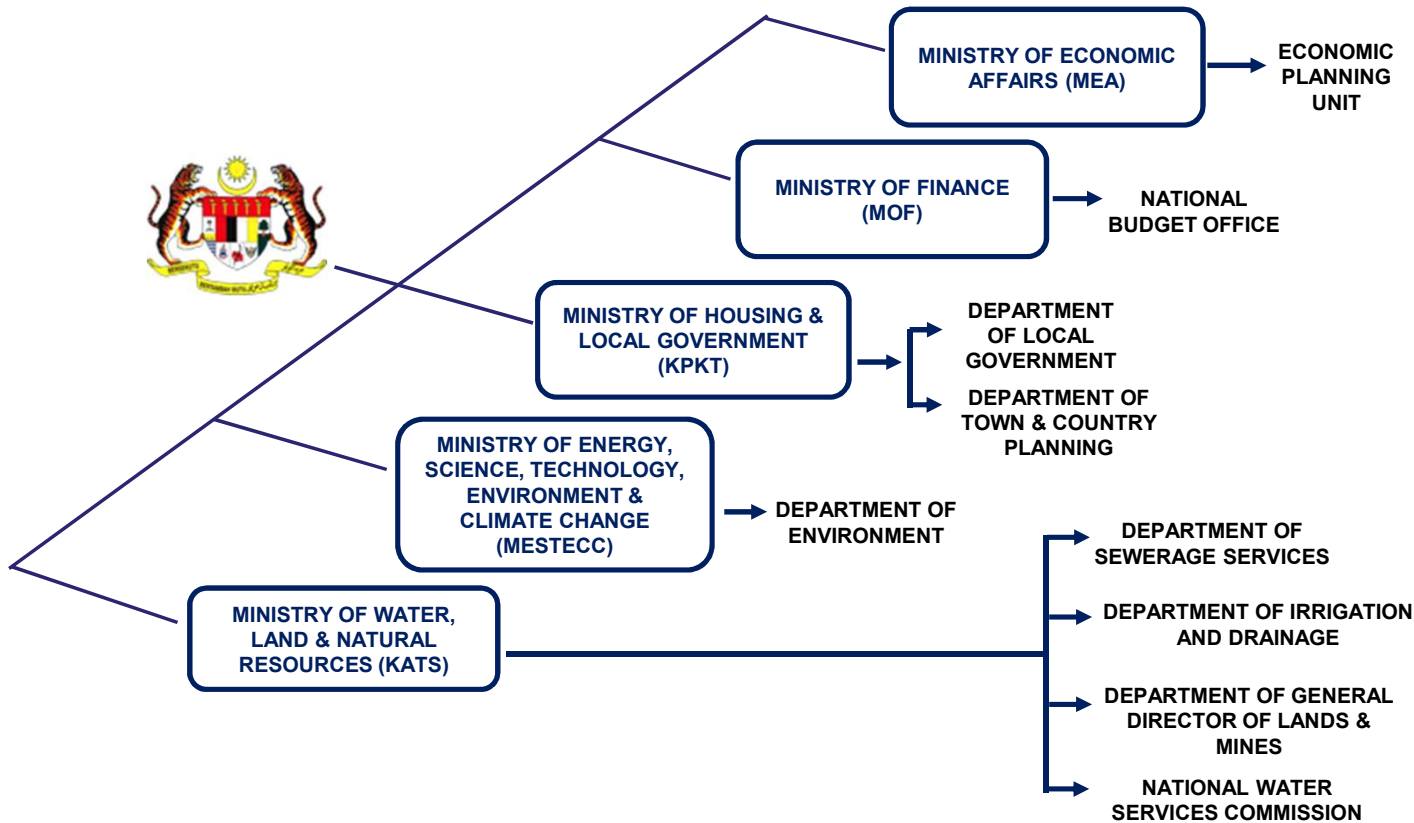
- **History of Sewerage Services in Malaysia**
- Governance Structure of Sewerage Industry
- **Current Statistics of Sewerage Assets in Malaysia**
- Wastewater Treatment in Malaysia
- **Malaysia Plan (11th MP & 12th MP)**
- Way Forward

History of Sewerage Services in Malaysia

IWK: Sewerage Services Concessionaire
WSIA: Water Services Industry Act, 2006
SPAN: National Water Services Commission



Governance Structure of Sewerage Industry



Sewerage Services Provider in Malaysia



Majaari Services Sdn Bhd



Pasir Gudang Municipal Council



Johor Bahru City Council



Department of Sewerage Services of Sarawak



Department of Public Works of Sabah

Current Statistics of Sewerage Assets in Malaysia



6,839 Public Sewage Treatment Plants



1,213 Network Pumping Stations



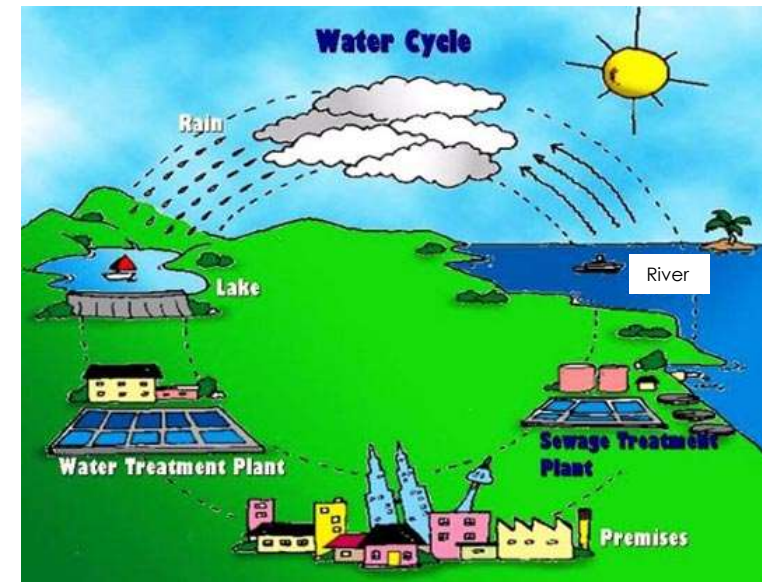
19,755 km Sewerage Pipe Networks



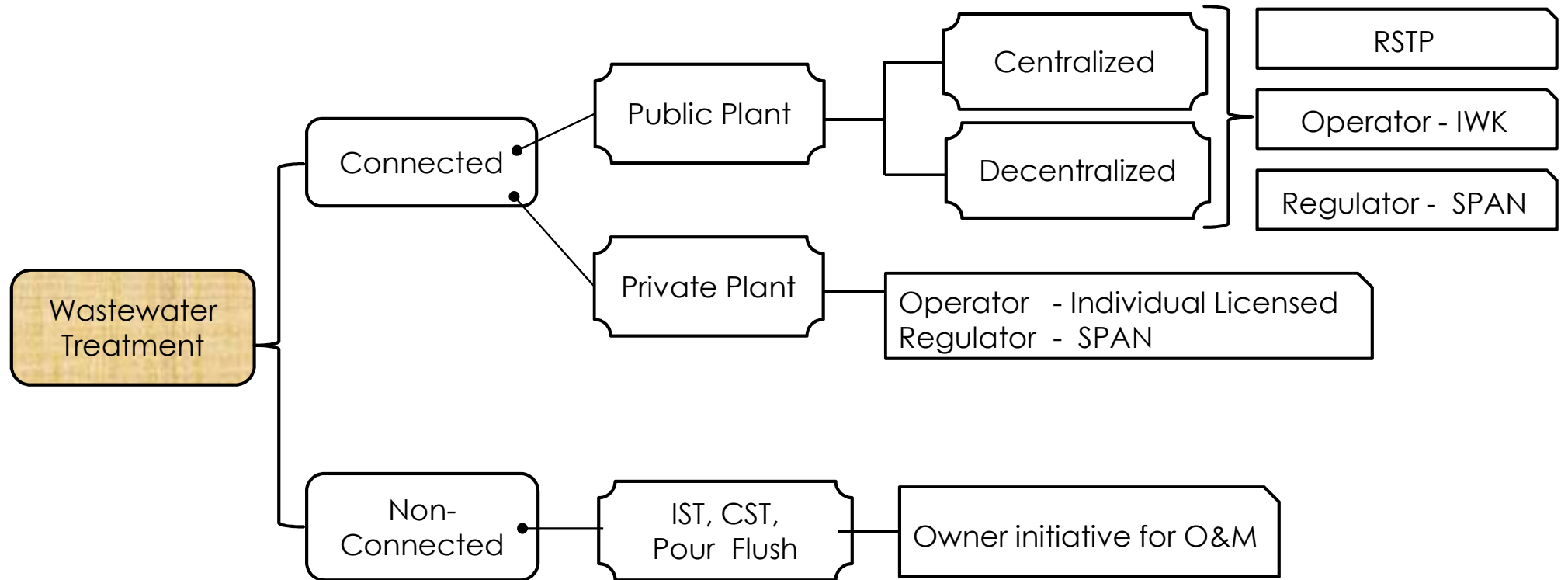
3,482 Communal Septic Tanks

1,329,411 Individual Septic Tanks
(Not including *pour flush*)

As of
June
2019

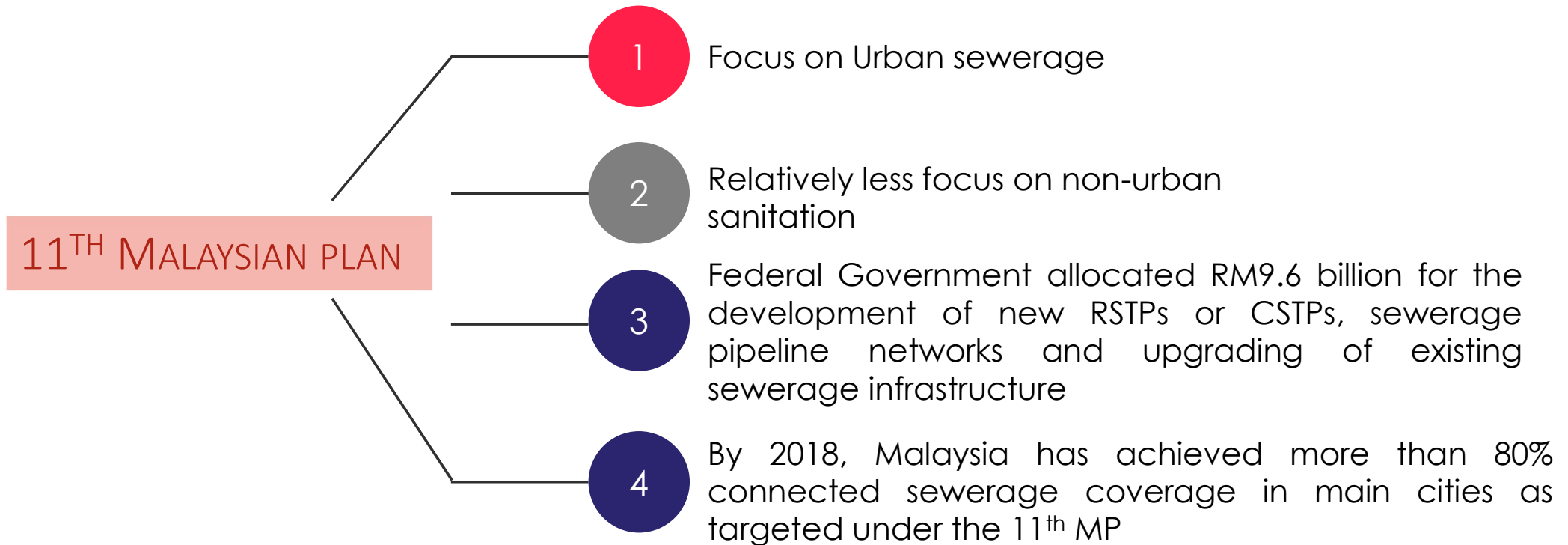


Wastewater Treatment in Malaysia



RSTP : Regional Sewage Treatment Plant
IST : Individual Septic Tank
CST : Communal Septic Tank

11th Malaysian Plan



12th Malaysian Plan

12TH MALAYSIAN PLAN

Sewerage–Water Transformation Plan



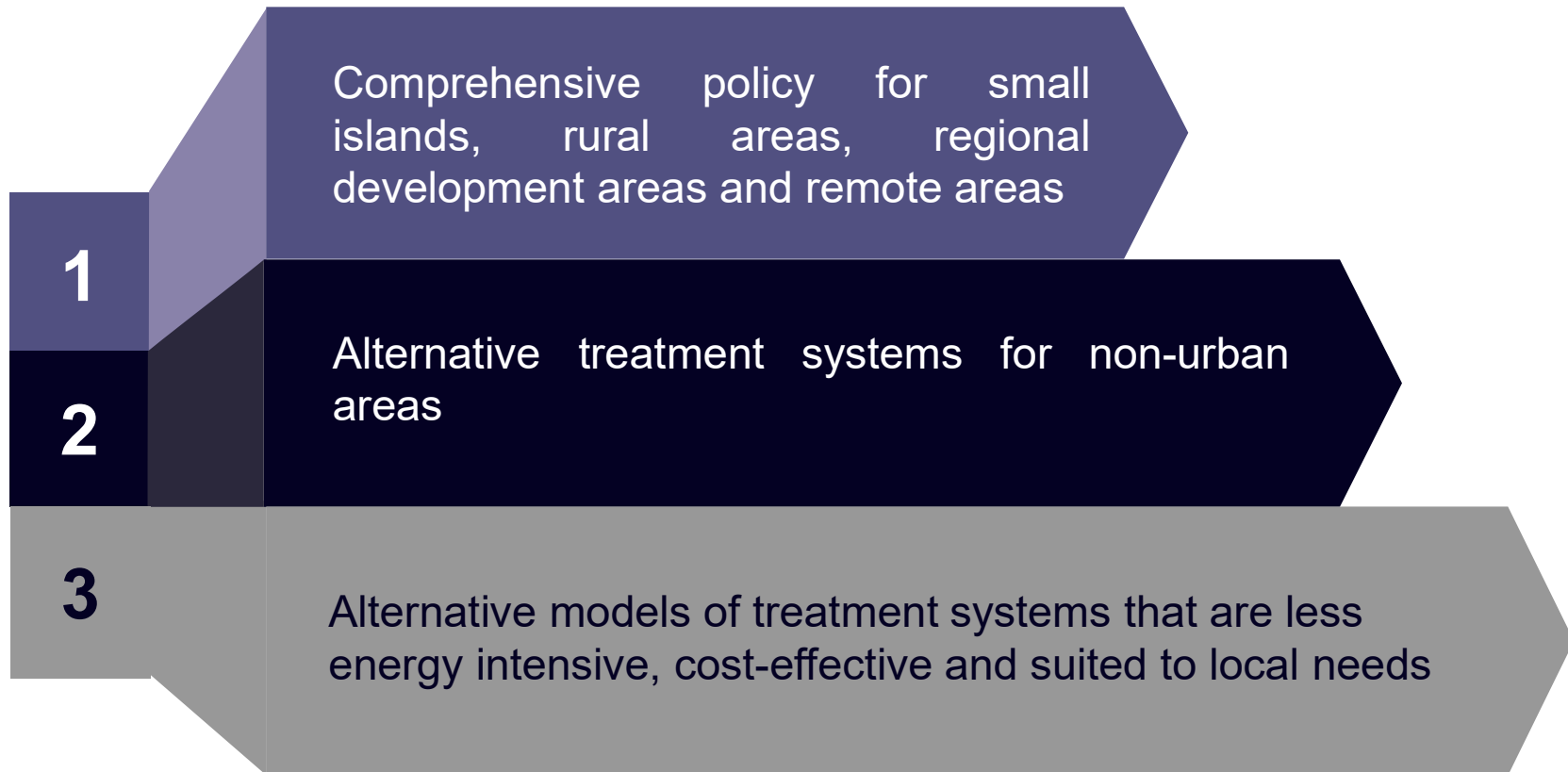
Includes a comprehensive policy for small islands, rural areas, regional development areas and remote areas

Finds alternative treatment systems for non-urban areas

To explore more alternative models of treatment systems that are less energy intensive, cost-effective and suited to local needs

To meet SDG-6 targets related to sanitation

Way Forward



Thank You!

A decorative flourish consisting of two wavy lines, one dark blue and one light blue, positioned below the text.